



Muffin AC - MU2A1 - 028021
 (Family) (Model) (Part Number)

Electrical Specifications

Rated Voltage:	115 VAC
AC Frequency:	60 Hz
Power Supply:	14.0 Watts
Line Current:	0.16 Amps
Locked Rotor Current	0.25 Amps
Nominal Speed:	3100 RPM

Mechanical Specifications

Dimensions:	4.72in x 1.50in
Weight	17.2 oz
Max Airflow @ 0 in H ₂ O	102.0 CFM
Max Pressure @ 0 CFM	0.296 in H ₂ O
Noise	45.1 dBA



Comair Rotron, Inc.
 Phone: 858.348.6200
 sales@comairrotron.com

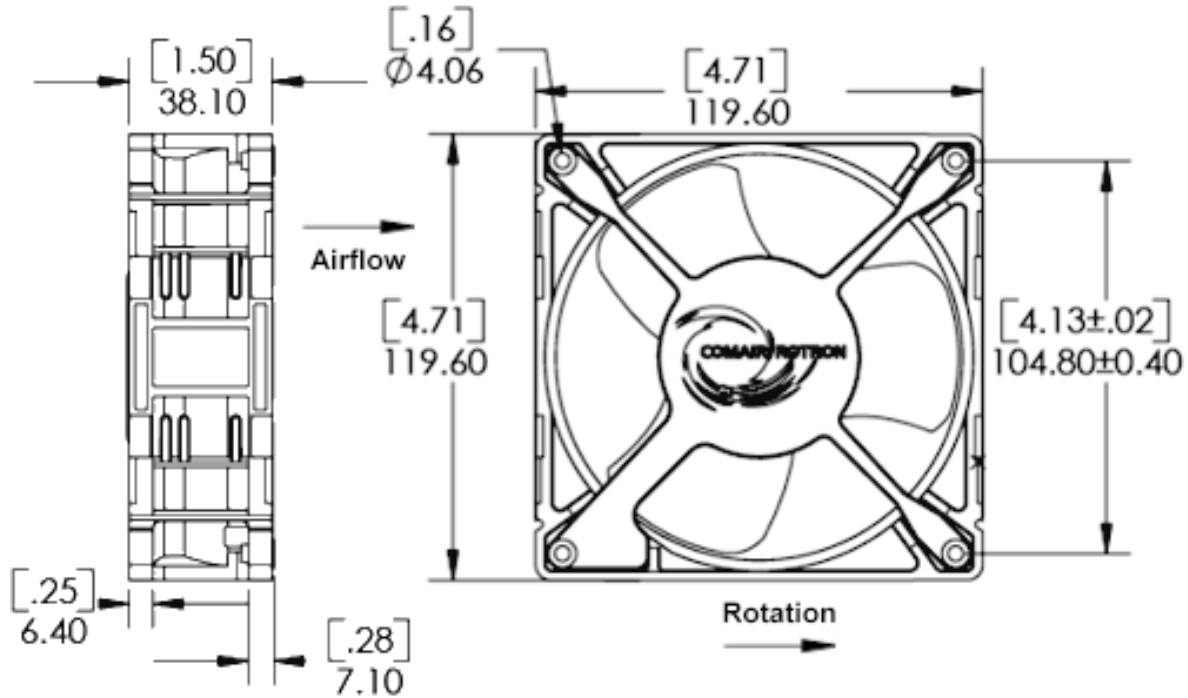
Comair Rotron Europe, Ltd.
 Phone: +44.1527.520525
 saleseurope@comairrotron.com

Comair Rotron Fan Company Ltd.
 Phone: +86.21.52260581
 salesasia@comairrotron.com

Print Date: Monday, February 18, 2008 at 00:45:55 - AC Fan Datasheet - Web Version 1.0 Rev. A



Mechanical Drawing

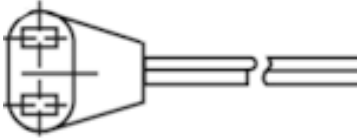


Options

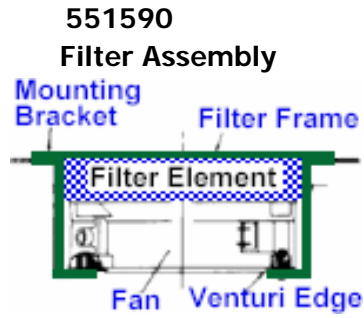
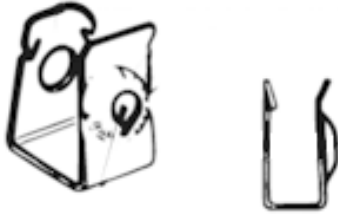
Part Number	Model Number	Bearing Type	Fan Rotation	Termination	In-Stock (Click 'Yes' for current stock)
028027	MU2B1	Ball	Normal	Terminals	No
028028	MU2B2	Ball	Normal	Terminals, No Venturi	No
039666	MU2B4	Ball	Reverse	Terminals, No Venturi	No
028021	MU2A1	Sleeve	Normal	Terminals	No
028022	MU2A2	Sleeve	Normal	Terminals, No Venturi	No
027300	MU2A3	Sleeve	Reverse	Terminals	No
027301	MU2A4	Sleeve	Reverse	Terminals, No Venturi	No

Accessories [\(Click on part number for detailed drawing.\)](#)

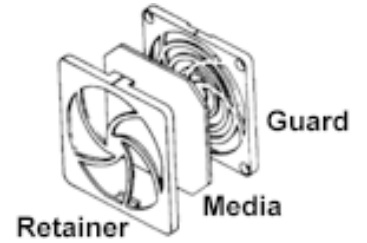
428056
Plug and Cord



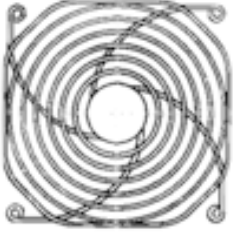
477663
Mounting Clip



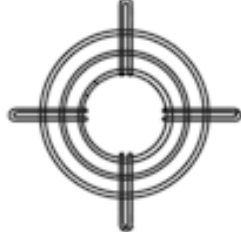
554148
Filter Guard Assembly



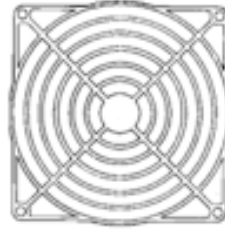
552934
Finger Guard



476042
Finger Guard



550481
Finger Guard



551147
Finger Guard



Comair Rotron, Inc.
Phone: 858.348.6200
sales@comairrotron.com

Comair Rotron Europe, Ltd.
Phone: +44.1527.520525
saleseurope@comairrotron.com

Comair Rotron Fan Company Ltd.
Phone: +86.21.52260581
salesasia@comairrotron.com