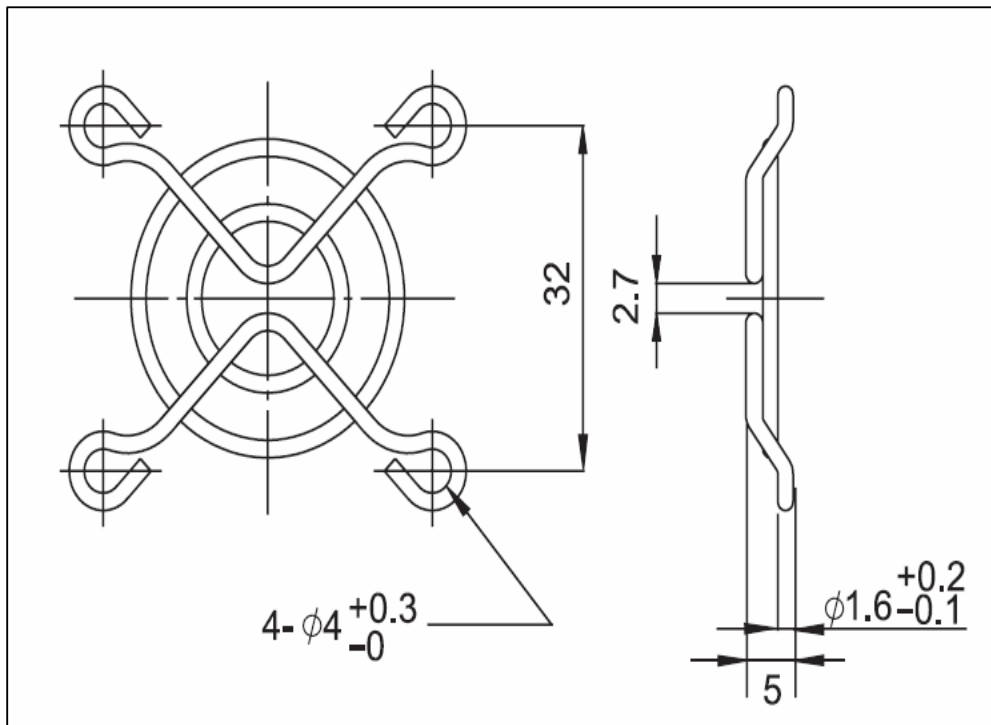


PRODUCT SHEET

www.macinternational.org

MF040-13

METAL FAN GUARD



*All dimensions specified in millimetres

*Drawing not to scale

ADDITIONAL TECHNICAL SPECIFICATIONS:

1. WELD JOINTS TO WITHSTAND 100KG. MIN. SEPARATION FORCE
2. FINISH – BRIGHT NICKEL CHROME
3. MATERIAL – C1010 BRIGHT BASIC WIRE

DATE	5 MARCH 2006
-------------	--------------