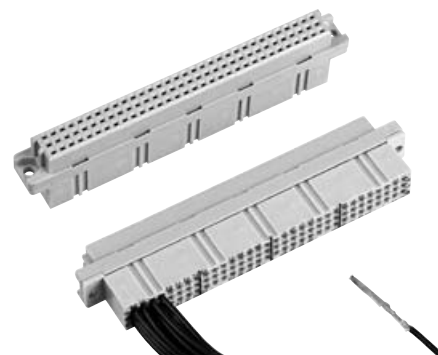


Number of contacts

max. 96



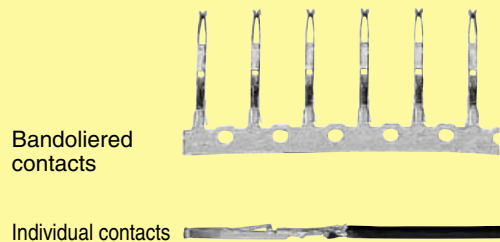
Female connectors

DIN Signal to 2 A

Identification	Number of contacts	Part No.	Drawing	Dimensions in mm
<p>Female connector for crimp contacts</p> <p>Order contacts separately</p>	96	<p>09 03 096 3214</p> <p>09 03 596 3214^{c)}</p>	<p>85, 84, 11.6, 11, 8.5, 2.9^{+0.5}, 10, 90^{+0.1}, 2.8^{+0.1}, 1c 1b 1a, 5.1, 1.5, 10.6^{-0.2}, 2.54, 31x 2.54 = 78.74, 95^{-0.4}</p> <p>2 x 2.54 = 5.08</p> <p>View from termination side</p> <p>32 31 30 29 28 27 26 25 24 23 22 21 20 19 18 17 16 15 14 13 12 11 10 9 8 7 6 5 4 3 2 1</p>	<p>Shell housing 09 03 096 0501 see chapter 20</p>

Identification	Part No.	Performance levels according to IEC 60 603-2. Explanation chapter 00
<p>Female crimp contacts BC</p>	2	1
<p>Bandoliered contacts (approx. 5,000 pieces)</p>	09 02 000 6484	09 02 000 6474
<p>Bandoliered contacts (approx. 500 pieces)</p>	09 02 000 8434	09 02 000 8444
<p>Individual contacts¹⁾</p>	09 02 000 8484	09 02 000 8474

Wire gauge mm ²	AWG	Insulation ø mm
0.09 - 0.5	28 - 20	0.7 - 1.5

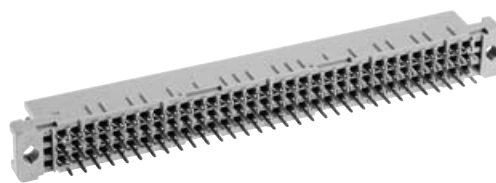


3.5 + 0.5 mm of insulation is stripped from the wires to be crimped
 Insertion, removal and crimping tools see chapter 30

^{c)} Connectors with coding see page 01.44
¹⁾ Packaging unit 1,000 pieces

Number of contacts

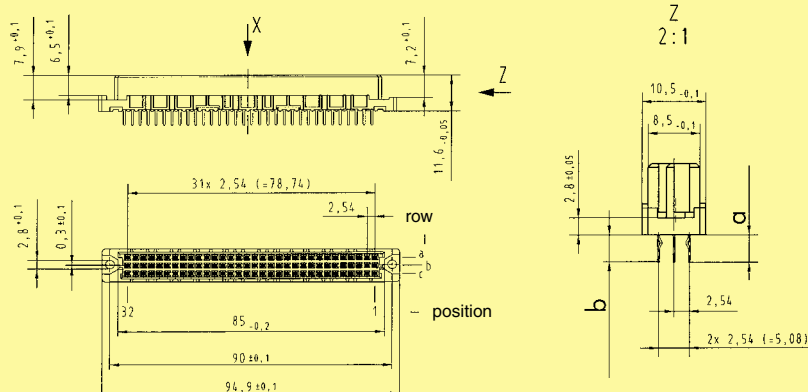
96, 64, 32



Female connectors

Identification	Number of contacts	Contact arrangement	Part No.	Performance levels according to IEC 60 603-2. Explanation chapter 00		
				3	2	1
Female connector with kinked solder pins ¹⁾ 2.9 mm	96		09 03 296 7855		09 03 296 6855	09 03 296 2855
	64		09 03 264 7855		09 03 264 6855	09 03 264 2855
	32		09 03 232 7855		09 03 232 6855	09 03 232 2855
Female connector with kinked solder pins ¹⁾ 4.5 mm	96		09 03 296 7845		09 03 296 6845	09 03 296 2845
	64		09 03 264 7845		09 03 264 6845	09 03 264 2845
	32		09 03 232 7845		09 03 232 6845	09 03 232 2845

Dimensions

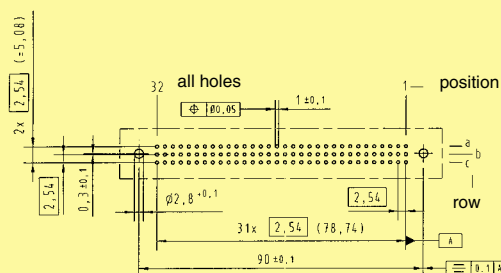


b Δ Length of kinked pins

a	b
2.9	2.75
4.5	4.35

Solder pins

Board drillings Mounting side

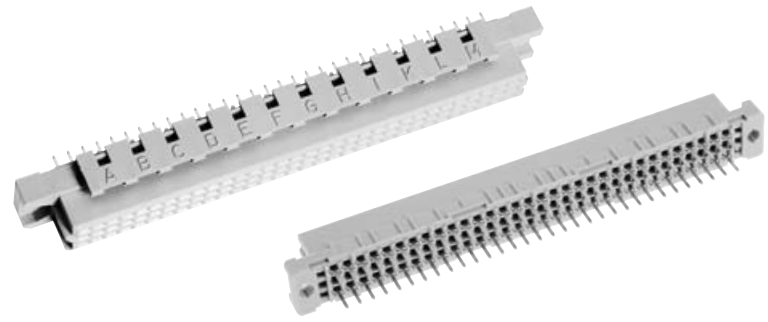


Dimensions in mm

¹⁾ Kinked pins for fixing the connector onto the pcb see chapter 00

Number of contacts

96, 64, 32

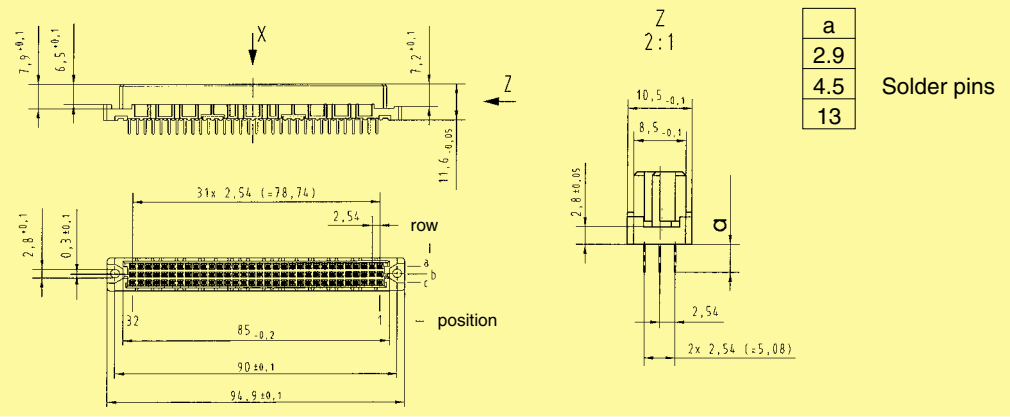


Female connectors

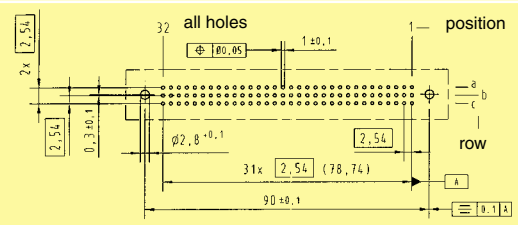
DIN Signal to 2 A

Identification	Number of contacts	Contact arrangement	Part No.	Performance levels according to IEC 60603-2. Explanation chapter 00		
				3	2	1
Female connector with solder pins 2.9 mm	96		09 03 296 7824	09 03 296 6824 09 03 496 6824 ^{b)} 09 03 796 6824 ^{c)}	09 03 296 2824 09 03 496 2824 ^{b)}	
	64		09 03 264 7824	09 03 264 6824 09 03 464 6824 ^{b)} 09 03 764 6824 ^{c)}	09 03 264 2824 09 03 464 2824 ^{b)}	
	32		09 03 232 7824	09 03 232 6824	09 03 232 2824	
Female connector with solder pins 4.5 mm	96		09 03 296 7825 09 03 496 7825 ^{b)}	09 03 296 6825 09 03 496 6825 ^{b)} 09 03 796 6825 ^{c)}	09 03 296 2825	
	64		09 03 264 7825 09 03 464 7825 ^{b)}	09 03 264 6825 09 03 464 6825 ^{b)} 09 03 764 6825 ^{c)}	09 03 264 2825	
	32		09 03 232 7825	09 03 232 6825	09 03 232 2825	
Female connector with solder pins 13 mm	96			09 03 296 6421 09 03 796 6421 ^{c)}		
	64			09 03 264 6421 09 03 764 6421 ^{c)}		
	32			09 03 232 6421 09 03 732 6421 ^{c)}		

Dimensions



Board drillings
Mounting side

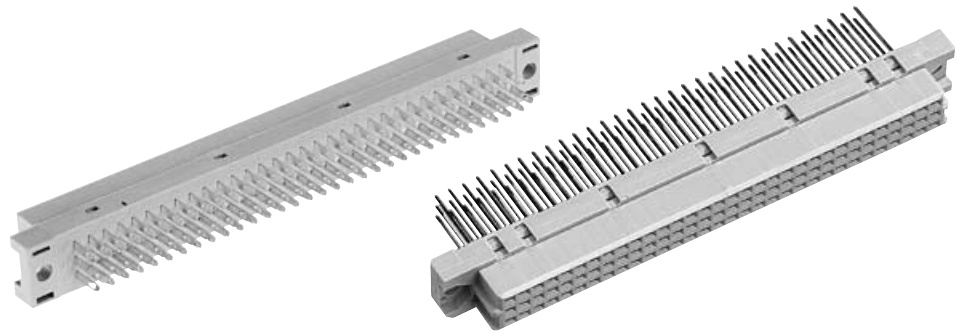


Dimensions in mm

^{b)} Connectors with snap-in clips see chapter 00
^{c)} Connectors with coding see page 01.44

Number of contacts

96, 64



Female connectors

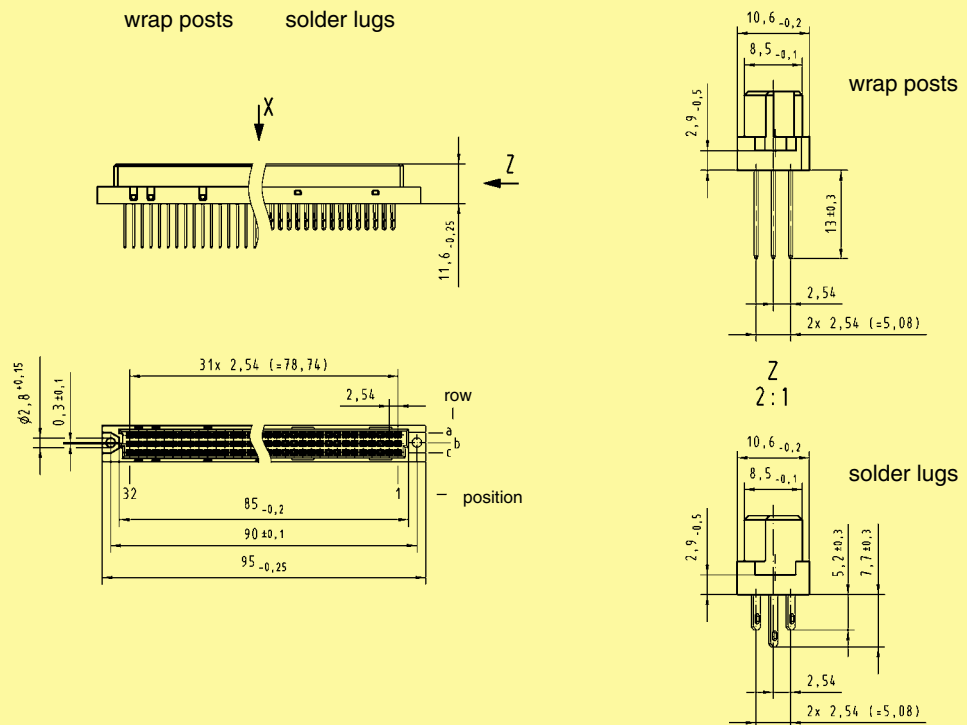
DIN Signal to 2 A

Identification	Number of contacts	Contact arrangement	Part No.	Performance levels according to IEC 60 603-2. Explanation chapter 00
			3	2 1
Female connector with wrap posts ²⁾ 13 mm	96		Performance level 3 on request	09 03 296 6821 09 03 796 6821 ^{c)} 09 03 296 6878 ¹⁾
	64			09 03 264 6821 09 03 264 6878 ¹⁾
Female connector with solder lugs	96			09 03 296 6823
a + c 5.2 mm b 7.7 mm	64			09 03 264 6823

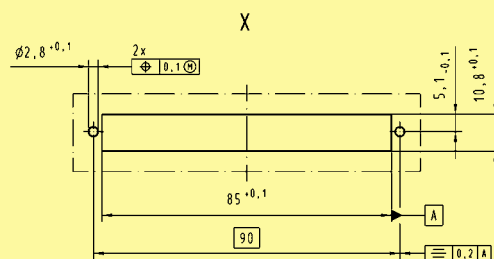
Female connector with press-in pins

Part Nos. and variants see chapter 04

Dimensions



Panel cut out



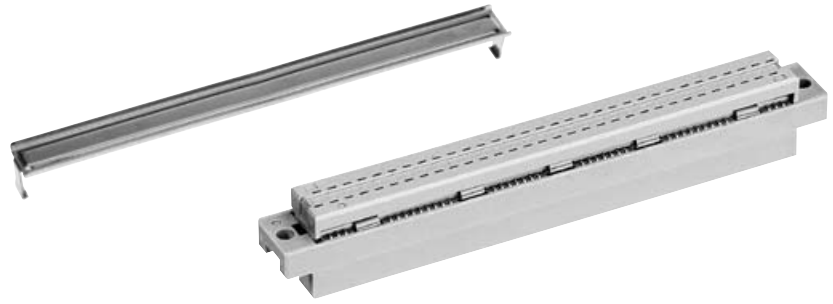
Identification strips for female connectors with wrap posts 09 03 000 9939

Dimensions in mm

¹⁾ Wrap posts for interfacing, selectively gold-plated (performance level 3)
²⁾ To be used only for wire wrap termination. Solder versions see page 01.21
^{c)} Connectors with coding see page 01.44

Number of contacts

64



Female connectors

DIN Signal to 2 A

Identification	Number of contacts	Part No.	Drawing	Dimensions in mm
Female connector for insulation displacement	64	Performance level 2 ¹⁾ 09 03 264 6828 09 03 764 6828 ^{c)}		
Strain relief		Performance level 3 ¹⁾ 09 03 264 7828		
Panel cut out		09 03 000 9940		<p>Cable 1 to contact 1 c</p> <p>Contact arrangement View from termination side</p>
Flat cable				<p>Mateable with 3 row male connector type C, no female contacts in the middle row</p> <p>²⁾ Termination area spacing = 508 mm</p> <p>Important: always store reels vertically</p> <p>Wire (tinned) Cu Gauge AWG 28/7 0.089 mm² Insulation material as per UL style PVC</p>
Round flat cable ³⁾				<p>³⁾ Termination area spacing = 100 mm</p>
Bench press		09 99 000 0114		
Base plate		09 99 000 0150		
Cable cutter		09 99 000 0116		
Spare parts				
Blade		09 99 000 0179		
Cutting plate		09 99 000 0180		



Further components and accessories for insulation displacement see interface catalogue, chapter 40

^{c)} Connectors with coding see page 01.44

¹⁾ acc. to IEC 60 603-2