

This document is the property of Amphenol Corporation and is delivered on the express condition that it is not to be disclosed, reproduced or used, in whole or in part, for manufacture or sale by anyone other than Amphenol Corporation without its prior consent, and that no right is granted to disclose or to use any information in this document.

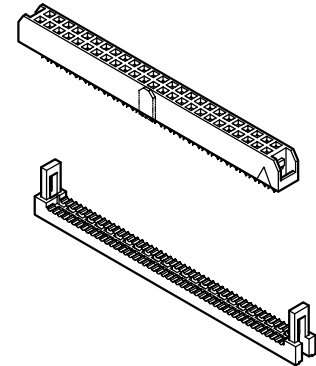
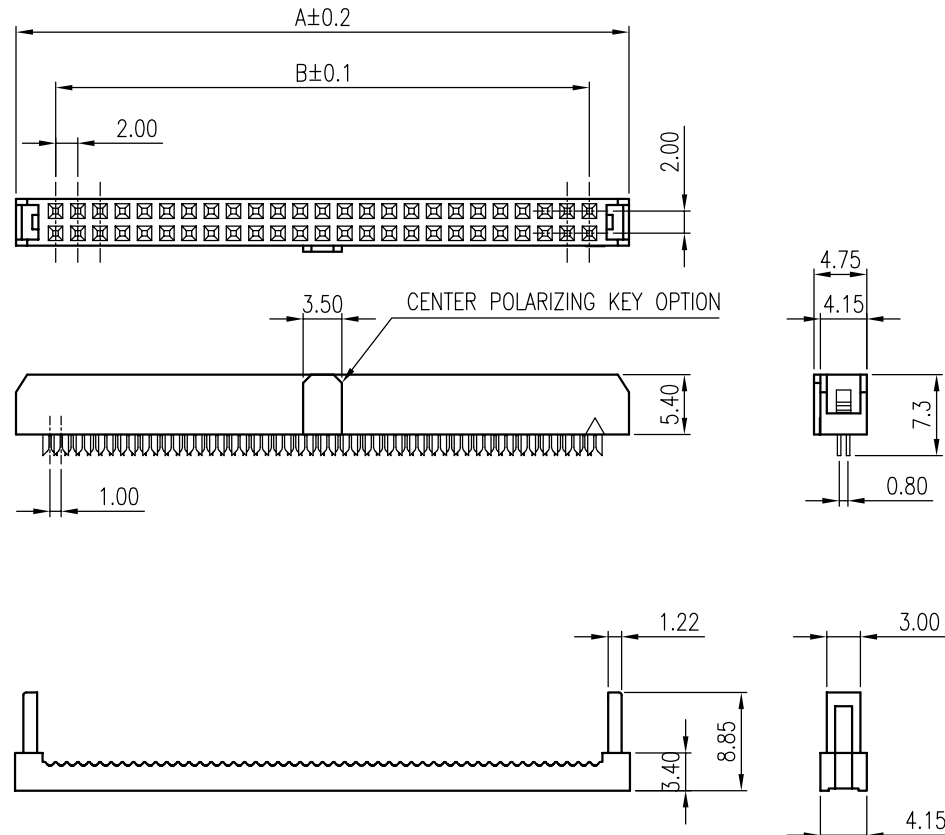
** THIS PRODUCT DIDN'T HAVE ENVIRONMENT- RELATED SUBSTANCES PER MATERIALS SPECIFICATION #MS-S001, LEVEL 1. WHEN THE TIME SET SCHEDULE OF LEVEL 2 IS EXPIRY, THE SUBSTANCES SHALL NOT BE CONTAINED WITH THIS PRODUCT.

CUSTOMER DRAWING

ORIGINAL

REVISIONS				
SYM	ECN No.	DESCRIPTION	DATE	APPROVED
A		RELEASE FOR RoHS	03/01/2005	Bodhi Chih

68	73.25	66.00
66	71.25	64.00
64	69.25	62.00
62	67.25	60.00
60	65.25	58.00
58	63.25	56.00
56	61.25	54.00
54	59.25	52.00
52	57.25	50.00
50	55.25	48.00
48	53.25	46.00
46	51.25	44.00
44	49.25	42.00
42	47.25	40.00
40	45.25	38.00
38	43.25	36.00
36	41.25	34.00
34	39.25	32.00
32	37.25	30.00
30	35.25	28.00
28	33.25	26.00
26	31.25	24.00
24	29.25	22.00
22	27.25	20.00
20	25.25	18.00
18	23.25	16.00
16	21.25	14.00
14	19.25	12.00
12	17.25	10.00
10	15.25	8.00



- NOTES:
1. INSULATOR: PBT GLASS FIBER FILLED UL94V-0, BLACK COLOR
 2. CONTACT: PHOSPHOR BRONZE, SELECTIVE GOLD PLATED
 3. THIS PRODUCT DOESN'T CONTAIN ENVIRONMENTAL HAZARDOUS MATERIALS PER MATERIAL SPECIFICATION #MS-S001.

TOLERANCE m/m	APPROVALS	DATE	TITLE	Amphenol® Amphenol Corporation Amphenol Taiwan Corporation	
x. ±0.30	DRAWN Ivy Hsu	03/01/05	G826 SERIES	SCALE N.A.	SHEET 1 OF 1
x.x ±0.25	CHECKED <input type="checkbox"/>	03/01/05	IDC SOCKET CONNECTOR		
x.xx ±0.15	APPROVED <input type="checkbox"/>	03/01/05	1.0 MM IDC PITCH		
x.xxx ±0.08	Alex Chiu	03/01/05	2.0 MM ROW SPACE		
ANGULAR ±2°					
UNLESS OTHERWISE SPECIFIED					
	UNIT MM	SIZE A4	PART NO. G826 XXXX XXC EU	DRAWING NO. SKT-G826XXXXXCEU-16	REV. A

NO. OF POS.	DIMENSION	
	A	B