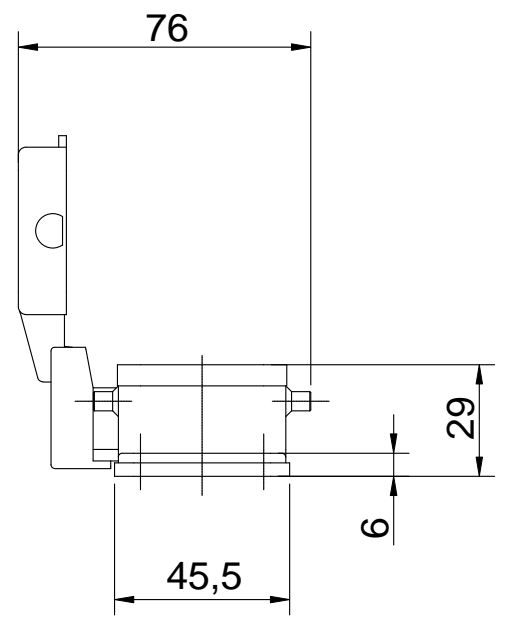
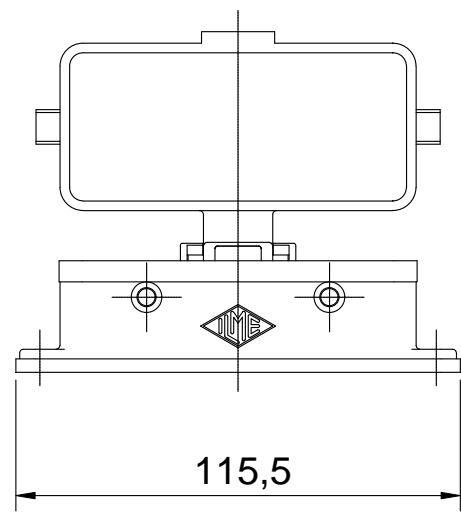
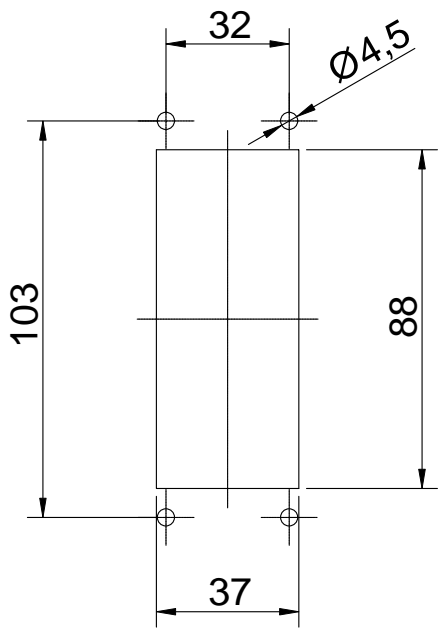



panel cut
out



Date 04.01.2007	CHI 16 CS	Scale	
Sign.	bulkhead h. with pegs and cover	1:2	