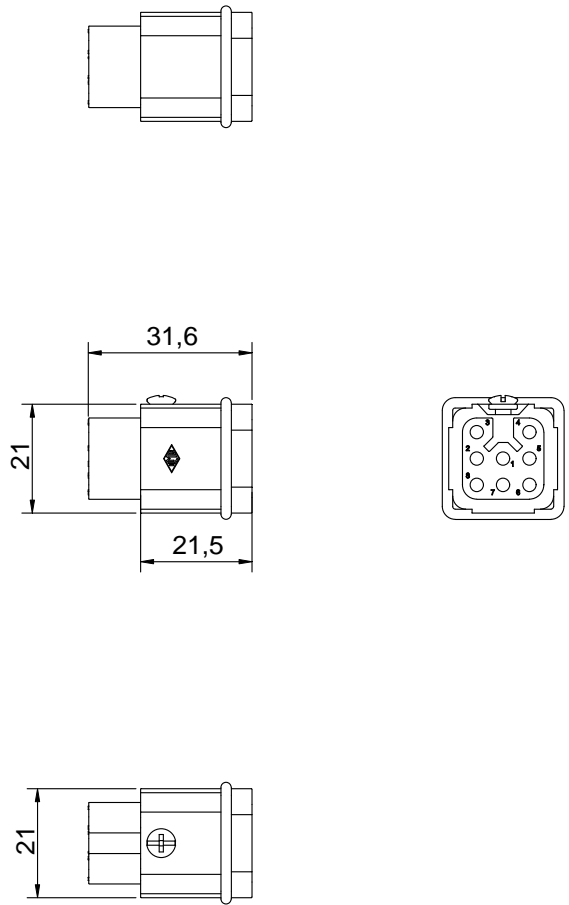



Diritti riservati All rights reserved



Date	29.11.2006	CDM 08	Scale	
Sign.		male insert, crimp, 08P 10A 250V	1:1	