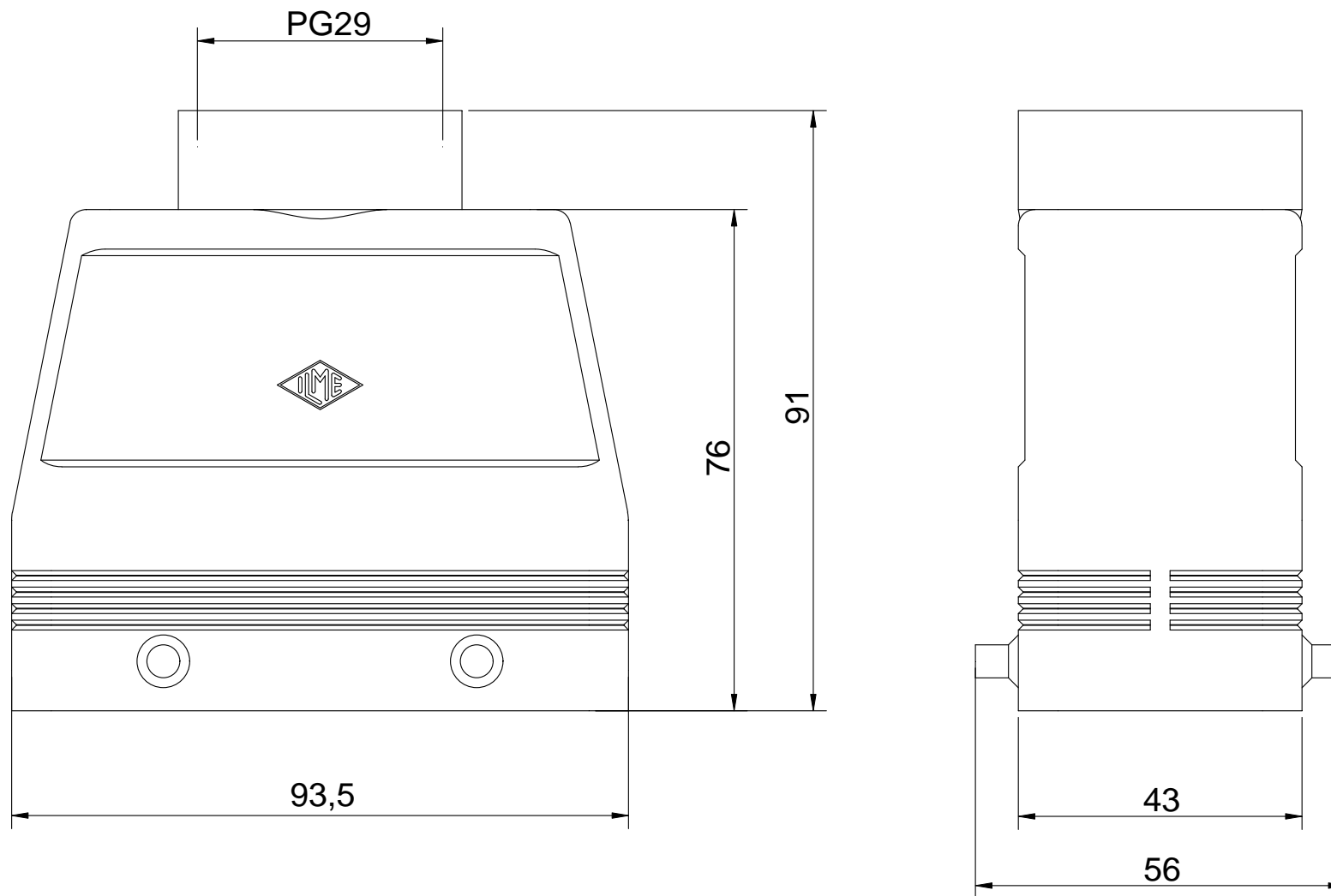



Diritti riservati All rights reserved



Date 14.12.2006	CAV 16.29	Scale	
Sign.	hood top entry PG29	1:1	