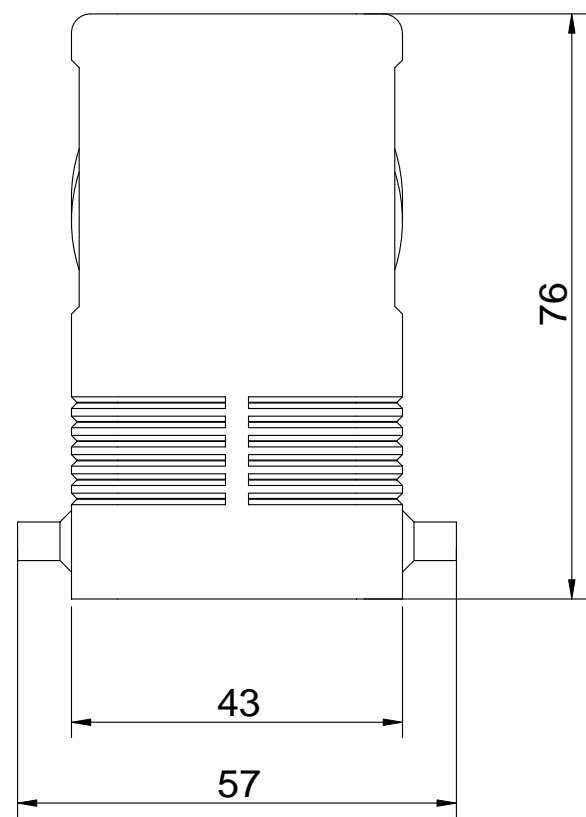
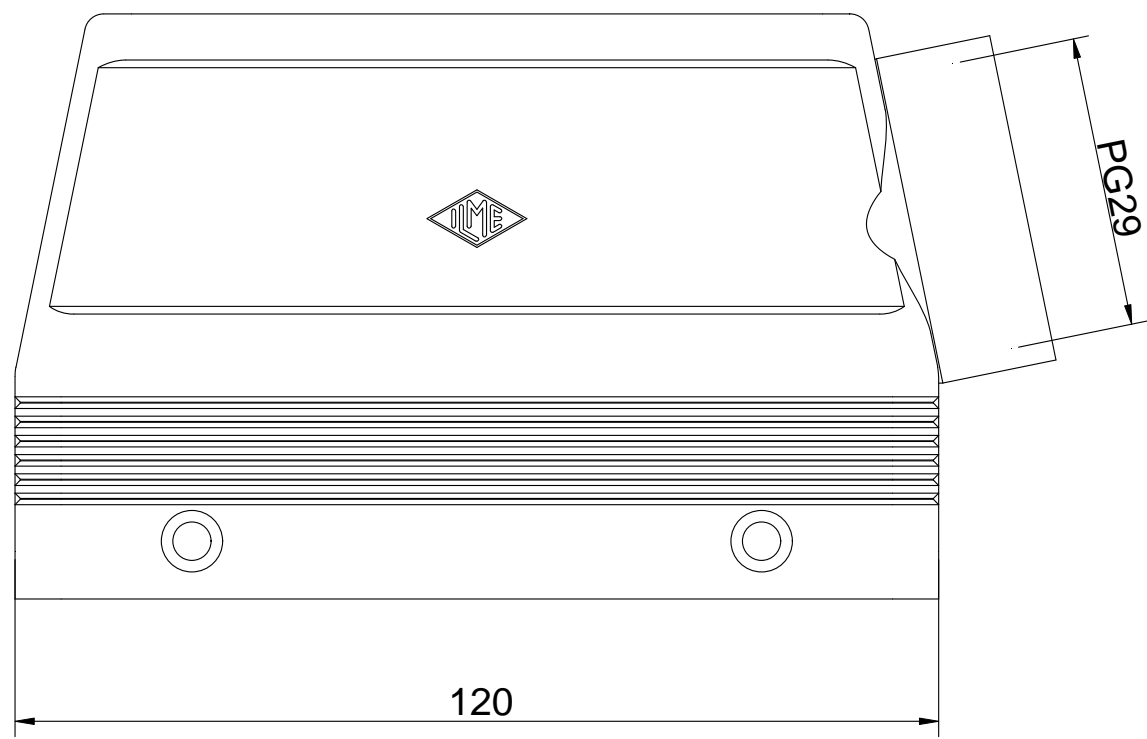



Diritti riservati All rights reserved



Date 14.12.2006	CAO 24.29	Scale	
Sign.	hood side entry PG29	1:1	